

CAT[®] CERTIFIED
REBUILD PROGRAM





**REBUILDING
IS IN OUR BL**

iker



OOD.



Cat® Certified Rebuild programs help you benefit from the multiple lives designed into Cat machines and components at a fraction of the cost of buying new.

○ — “IT WAS AT THE END OF
ITS LIFECYCLE. WE SAW
NO REASON WHY WE
COULDN'T TAKE THIS
FULL LIFECYCLE AGAIN.”

Wm. D. Scepaniak, Inc.





- ——— ○
- — ○ "IT'S QUITE A BIT CHEAPER TO DO A REBUILD THAN TO PURCHASE A BRAND-NEW ONE. COST IS A MAJOR FACTOR."
Strack Incorporated
- — ○ "IT'S GOING TO BE LIKE A BRAND-NEW LOADER WHEN WE GET IT BACK."
Schildberg Construction
-



THERE
ARE

05

CERTIFIED REBUILD PROGRAMS AVAILABLE.

CHOOSE THE PROGRAM THAT'S RIGHT FOR YOU:



CERTIFIED REBUILD

The entire machine



**CERTIFIED HYDRAULIC
REBUILD**

An excavator's hydraulic system



**CERTIFIED POWER TRAIN
REBUILD**

Everything from the machine's radiator
to the wheels or sprockets



**CERTIFIED ENGINE
REBUILD**

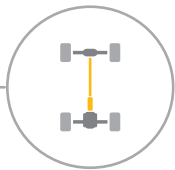
Marine propulsion, generator sets,
pumps, locomotives and other
power applications



**CERTIFIED MACHINE
COMPONENT REBUILD**

Engines, transmissions, torque converters,
axle assemblies or final drives

MAXIMIZING YOUR INVESTMENT



Extended power train coverage options



Replace parts such as wiring harnesses, sensors, gauges, etc.



New parts warranty on parts replaced



Full utilization
of second life



Ability to stay with the
same machine size
and technology



Improved machine
availability (includes critical
engineering updates)



Financing available through
your dealer and Cat Financial

VALUE BEYOND THE REBUILD

THE REBUILD PROCESS EXTENDS BEYOND A PIECE OF REBUILT EQUIPMENT. THE VALUE OF YOUR EQUIPMENT INCREASES WITH WARRANTIES AND COVERAGE FROM CATERPILLAR—AND THE SUPPORT OF THE LARGEST DEALER AND PARTS DISTRIBUTION NETWORK IN THE WORLD.

CERTIFIED REBUILD

NEW PARTS WARRANTY ON ALL REPLACED PARTS AND YOUR CHOICE OF EXTENDED POWER TRAIN COVERAGE:

- 1 year or 6,000 service hours
- 2 years or 10,000 service hours
- 3 years or 5,000 service hours

CERTIFIED POWER TRAIN

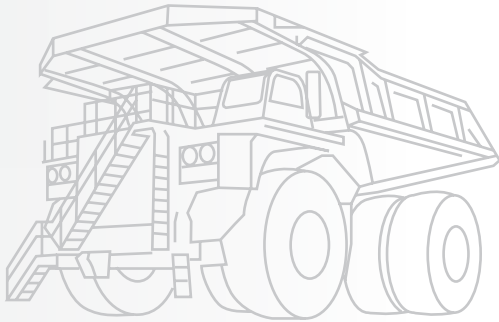
YOUR CHOICE OF EXTENDED POWER TRAIN COVERAGE:

- 1 year or 6,000 service hours
- 2 years or 10,000 service hours
(Coverage varies by country)
- 3 years or 5,000 service hours

CERTIFIED REBUILD

GET THE MOST VALUE OUT OF YOUR MACHINE

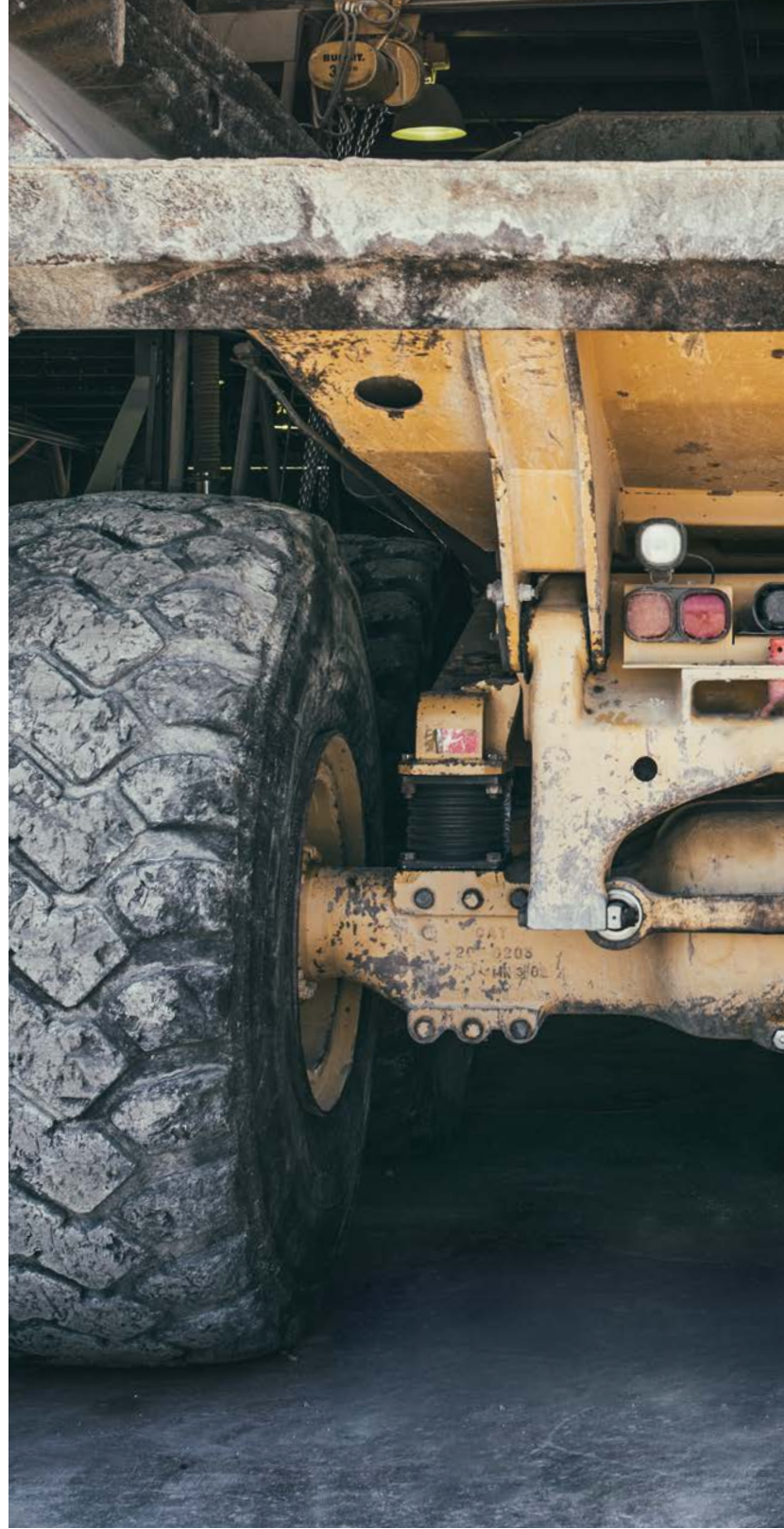
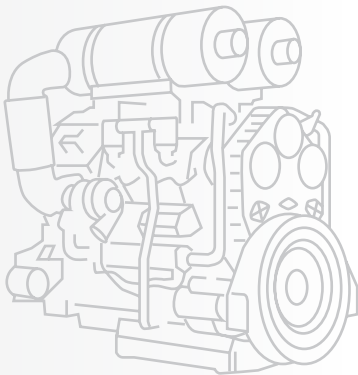
With a Cat Certified Rebuild, you can recover all the performance and productivity of your original machine while benefiting from the latest engineering updates.



CERTIFIED ENGINE REBUILD

REBUILD YOUR ENGINE AND RECOVER PERFORMANCE

When you invest in Cat equipment, you're investing in durability, dependability and performance. And when you rebuild your Cat engine, you're maximizing that investment.



CERTIFIED MACHINE COMPONENT REBUILD

RESTORE THE LIFE OF YOUR COMPONENTS

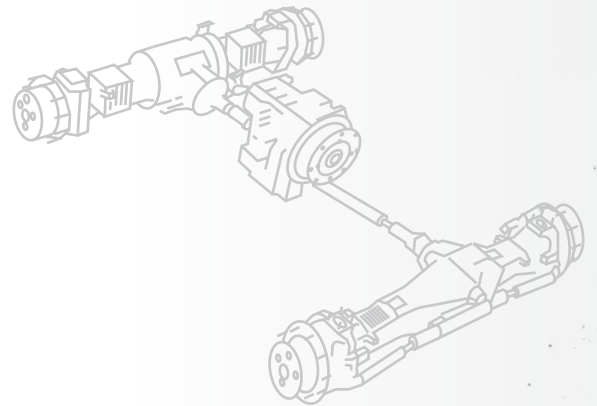
Getting the most out of your machine means getting the most out of your power train. A component rebuild will restore your engine, transmission, torque converter, axle assemblies or final drives to like-new performance.



CERTIFIED POWER TRAIN REBUILD

RENEW THE PERFORMANCE AND PRODUCTIVITY OF YOUR POWER TRAIN

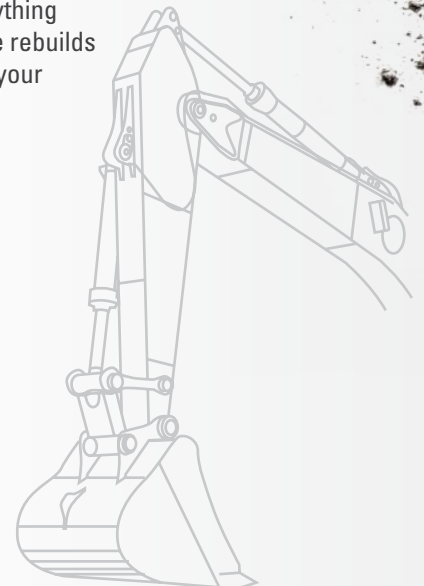
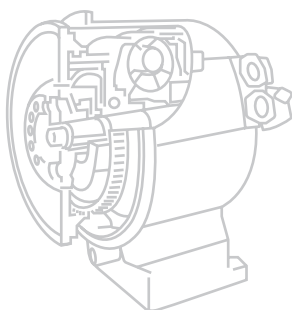
The heart of any piece of equipment is the power train. A rebuilt power train can improve performance, increase machine availability and greatly extend the productive life of your equipment.



CERTIFIED HYDRAULIC REBUILD

GET THE BENEFITS OF A FOCUSED REBUILD PROGRAM

You have options when it comes to renewing the performance of your equipment fleet—everything from complete machine rebuilds to rebuilds focused on your hydraulic systems.

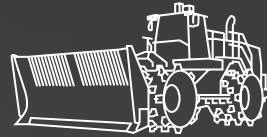


CAT CERTIFIED REBUILD/ CERTIFIED POWER TRAIN PROGRAMS



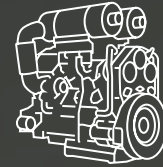
ARTICULATED TRUCKS

725,730, 735, 740, 740B



COMPACTORS

836, 815B/F, 816B/F, 825G,
826C/G/H, 836G/H/K



ENGINES

3116, 3306, 3406A/B/C, 3408A/B/C/E, 3412A/C, 3456, 3508A/B,
3512A/B/C, 3516A/B, 3606, 3608, 3612, 3616, 3618, 3126B, C7, C9,
C10, C11, C12, C13, C15, C18, C27, C32

G3304, G3306, G3406, G3408, G3412, G3508, G3512, G3516A/B/C,
G3520C, G3606A/B, G3608, G3612, G3616, PM3516



HYDRAULIC EXCAVATORS

320A/B/C/D/N/S, 322A/B, 325, 330A/B/C/D, 350, 375, 5080, 5130A/B,
5230, 245B/D, 312C, 318C, 319C/D, 323D, 324D, 325A/B/C/D, 328D,
329D, 332C, 336D/E, 336E, 345B/C/D, 349D/E, 365B/C, 374D/F, 375,
385B/C, 390D, 5110B, 568FM, M315A/C/D, M316C/D, M320,
M322C/D, M325C/D



INTEGRATED TOOLCARRIERS

IT28B/F/G/H, IT62G/H



UNDERGROUND MINING LOADERS

R1300G, R1600A/G/H,
R1700G, R2900A/G/H,
R3000H



MOTOR GRADERS

120G/H/K, 12G/H/M, 130G,
135H, 140G/H/K/M, 143H,
14H/M, 160H/K/M, 163H,
16G/H/M, 24H/M



OFF-HIGHWAY TRUCKS

769C/D, 770, 771C/D, 772,
773B/D/E/F/G, 775B/D/E/F,
776B/D, 777A/B/C/D/E/F/G,
785A/B/C/D, 789A/B/C/D/XQ,
793A/B/C/C XQ/D/F,
797A/B/F



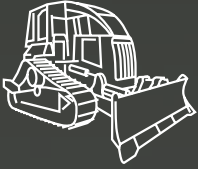
WELL STIMULATION PUMP TRAILERS

SPF343, SPF343C



TRACK-TYPE LOADERS

953A/B/C/D, 963, 973, 933C,
939C, 953B, 963B/C/D,
973C/D, 977L



TRACK SKIDDERS

527



TRACK-TYPE TRACTORS

D10N/R/T/T2, D11N/R/T, D5B/G/H/K/M/N,
D6H/K/M/N/R/T, D7E, D7G/H/R, D8L/N/R/T, D9L/N/R/T



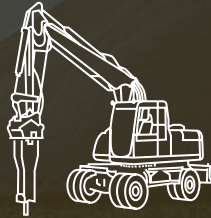
TRACK-TYPE TRACTOR PIPELAYERS

578, 589, 561D, 572R



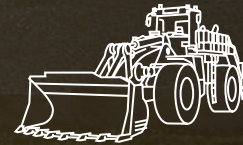
UNDERGROUND MINING TRUCKS

AD30, AD45A/B, AD55A/B,
AD60, AE40



WHEEL EXCAVATORS

M316D, M318A/C/D,
M322C, M325D



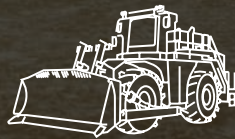
WHEEL LOADERS

994, 914G, 924G/H, 928F/G/H, 930A/G/H/K, 936F, 938F/G/H/K,
950B/E/F/G/H/K, 960F, 962G/H, 966D/E/F/G/H/K, 970F, 972G/H/K,
980C/F/G/H/K/M, 988B/F/G/H/K, 990A/H/K, 992C/D/G/K, 993K,
994D/F/H, 996H



WHEEL TRACTOR SCRAPERS

613C, 615C, 621E/F/G,
623E/F/G/H, 627E/F/G,
631E/G, 633D/E, 637D/E/G,
651E, 657E, 657G



WHEEL DOZERS

814A/B/F/G, 815, 844,
824C/G/H, 826G,
834B/G/H/K, 844H, 854G/K



WHEEL SKIDDERS

515, 525, 545, 518C, 525B/C,
535B/C, 545C/D, 621G,
637G

Please contact your
Cat dealer for coverage details





CAT DEALERS ARE THE **GOLD STANDARD** FOR SERVICE AND SUPPORT

Cat dealers know how to help you maximize your investment and ensure you achieve the highest levels of durability, reliability and productivity.





BUILT FOR IT.™

PEDJ0325 | © 2017 Caterpillar. All Rights Reserved. CAT, CATERPILLAR, BUILT FOR IT, their respective logos, "Caterpillar Yellow," and the "Power Edge" trade dress, as well as corporate and product identity herein, are trademarks of Caterpillar and may not be used without permission.